

SpeedROC D30

Surface drill rig for marble, granite, and limestone in the dimension stone industry.

Hole diameter: 70–105 mm (2.75"–4.25")



Speed up your profits

SpeedROC D30 is a versatile and flexible drill rig, tailor-made for the dimension stone industry. It is capable of drilling straight, vertical and horizontal holes that enable diamond wire cutting.

Tramming, rotation and feed is activated by an on-board engine and a well-matched external compressor runs the down-the-hole hammer.

SpeedROC D30's special design makes it capable of drilling horizontal holes with minimum ground clearance from both right and left directions.

⊕ Main benefits

Tailor-made for the dimension stone industry

Drills straight holes just 8 cm from the ground to the hole center

Quick positioning time and low fuel consumption



Redefine your drilling

SpeedROC D30 redefines the way you drill in the dimension stone quarries for the wire-saw application. It is capable of drilling horizontal holes with a ground clearance of just 8 cm from center of the hole for both right and left feed directions.



+ Flexibility to do more

SpeedROC D30 is a self-propelled, 4-wheel driven rig, extremely stable while tramming. Thanks to the skid-steer mechanism the SpeedROC D30 can handle some of the toughest quarry conditions with ease. It saves fuel and time as well, as you don't need to waste time in towing or transporting the traditional pneumatic drills to the drilling site.



+ Simplicity at work

The machine is fitted with a swing-out control panel for drilling and boom movements. All the drilling controls are well within reach and are simple to use making it easy to drill clean and accurate holes. In addition to the standard mounted rod rack that holds up to 10 rods, an extra rod rack for additional 10 rods can be mounted as an option, giving a total of 20 rods, each up to two meters in length.



+ Safer operations

The SpeedROC D30 includes several safety features. Four support legs, a protective cage around the drilling unit and a safety handle grabs are just a few of the features that ensures safer working conditions. The machine also comes with a Radio Remote Control (RRC) as standard, to make the work simpler and safer.



A comprehensive service offering

Even the best equipment needs to be serviced regularly to make sure it sustains peak performance. An Epiroc service solution offers peace of mind, maximizing availability and performance throughout the lifetime of your equipment. We focus on safety, productivity and reliability.

By combining genuine parts and an Epiroc service from our certified technicians, we safeguard your productivity – wherever you are.

Technical specifications

Main Components

- 4-cylinder, 26.2 kW Kubota engine
- Dust collector
- Double tramming station: Radio remote control (RRC) or on-board control
- Customized rotation unit designed for DSI application
- Swing arm control panel (drilling and boom functions)

- 4 hydraulic legs to stabilize the rig during positioning and drilling
- Chain feed system
- Gull wing canopy doors
- 2 emergency wire stops on the feed
- Tramming lights
- Hydraulic system with LS pump for lower fuel consumption

Hole range (recommended)

	Metric	US
COP 20, COP 32, COP 35	70-105 mm	2.75"-4.1"
Drill pipe	63-76 mm	2.5"-3"
Length	1.5/2 m	4.92/6.56 ft

Hydraulic system

	Metric	US
Ambient temperature	-20°C - +45°C	24.8°F/113°F
Pistons variable displ with LS control pump	45 cc	
Gear pump	18 cc	

Electrical system

Voltage	12 V
Batteries	2 x 12 V
Alternator	12 V
Tramming lights, front	2 x 55 W
Tramming lights, rear	2 x 55 W
Sound alarm and flash light	

Control system

Electronically controlled
Radio Remote Control (RRC)
Drilling low start concerning feed, rotation and percussion

Drilling unit

Oil pre-heating system
Oil cooling system
Proportional control hydraulic valves
10 micron absolute filtration rate

Carrier

	Metric	US
Tramming speed, max	5 km/h	3 mph
Ground clearance	230 mm	9"
Tramming angles downward/upward max	15°	cannot be combined
Tramming angles laterally, max (left, right)	10°	

Engine

Kubota V1505 (tier 3)	26.2 kW/35.1HP (at 3000 rpm)
Doosan D18 (tier 4 final)	37 kW/50 HP (at 2 800 rpm)

Feed

Chain feed, hydraulically driven	Metric	US
Feed extension	1200 mm	47.2"
Feed force, max	10 kN	2 248 lbf
Tractive pull, max	10 kN	2 248 lbf
Total length	3 530 mm	139"
Travel length	2 150 mm	84.6"

Dust collector

Filtering area	6 m ²	65 sq.ft
Suction capacity	800 m ³ /h	471 cfm
Suction hose diam	100 mm	3.9"
Number of filters	2	
Auto-cleaning filters		

Volumes

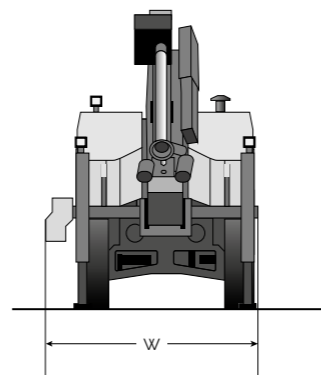
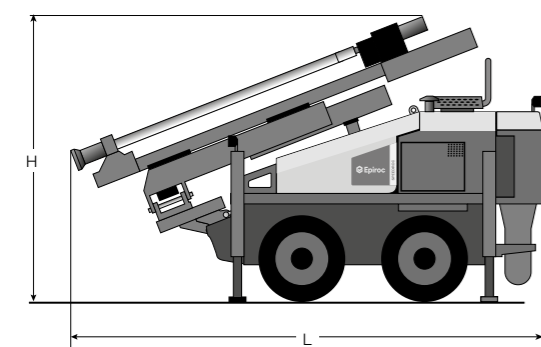
	Metric	US
Hydraulic oil tank	50.0 l	13.2 gal
Hydraulic oil, total	70.0 l	18.5 gal
Lubrication tank	2.4 l	0.6 gal
Diesel engine oil	6.0 l	1.5 gal
Diesel tank	58.0 l	15.3 gal

Technical specifications



DTH hammers

General specifications	COP 20		COP 35 Slim		COP 35	
	Metric	US	Metric	US	Metric	US
Outside diameter (in/mm)	62 mm	2.4"	76 mm	3"	79 mm	3.1"
Bit size, min-max	70-96 mm	2.8"-3.8"	85-105 mm	3.3"-4.1"	90-105 mm	3.5"-4.1"
Max pressure differential	12 bar	175 psi	24.1 bar	350 psi	24.1 bar	350 psi
Capacity at 100 psi/6.9 bar	36 L/s	76 cfm	53 L/s	111 cfm	53 L/s	111 cfm
Bpm (at 100 psi/6.9 bar)	1260		1347		1347	
Capacity 150 psi/10.3 bar	57 L/s	121 cfm	83 L/s	176 cfm	83 L/s	176 cfm
Bpm (at 150 psi/10.3 bar)	1475		1486		1486	
Capacity 200 psi/13.8 bar	73 L/s	155 cfm	117 L/s	248 cfm	117 L/s	248 cfm
Bpm (200 psi/13.8 bar)	1684		1625		1625	
Bit shank style	BR 2		DHD3.5		DHD3.5	
Connection thread	API 2 3/8" Reg Pin		API 2 3/8" Reg Pin		API 2 3/8" Reg Pin	



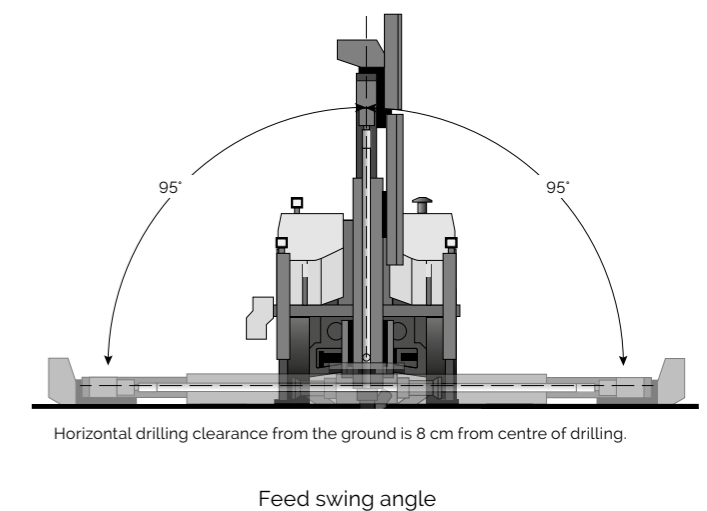
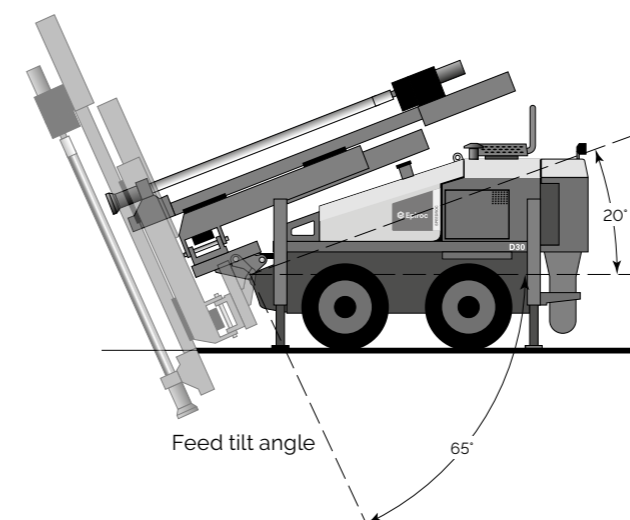
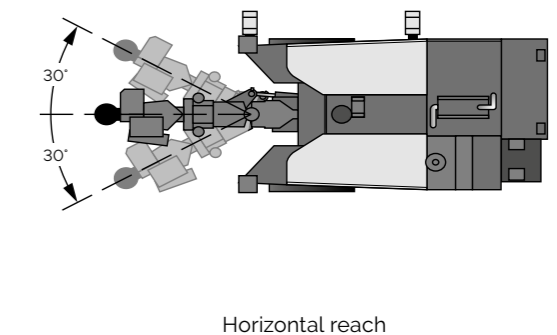
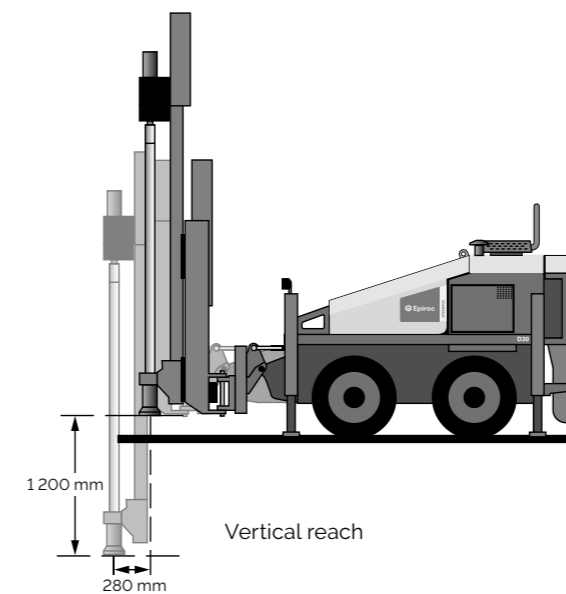
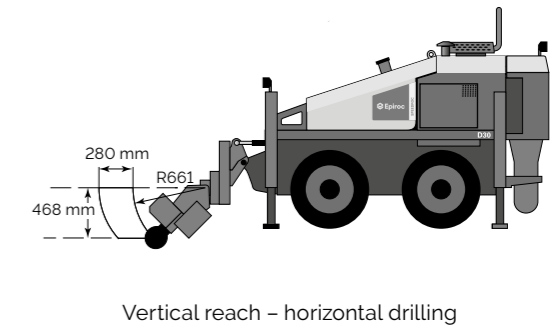
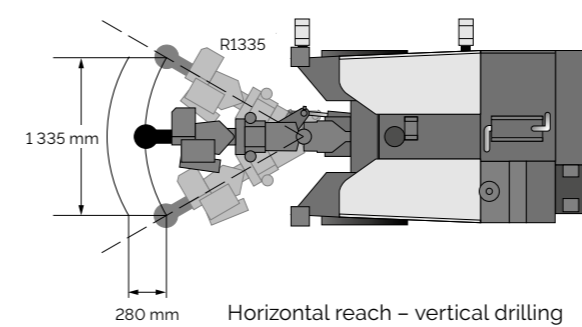
Transport dimensions

	Metric	US
Height (H)	2 200 mm	86.6'
Length (L)	4 850 mm	190.9'
Width (W)	1 950 mm	76.8'

Weight

	Metric	US
Standard unit excluding all options and drill steel	3 100 kg	6 834 lb

Technical specifications



Optional equipment

- Rod rack with 10 rods, 1.5 or 2 m long. Can be positioned on either side of the machine.
- Water mist with 150 liters tank.
- Dust separator.

United in performance. Inspired by innovation.

Performance unites us, innovation inspires us, and commitment drives us to keep moving forward. Count on Epiroc to deliver the solutions you need to succeed today and the technology to lead tomorrow.
epiroc.com

